

## Eco Design Appliance End-of-Life Information: Commission Regulation (EU) No. 813/2013

### Introduction.

Implemented within the European Union, the Eco Design and Energy Using Products (EuP) Directive aims to reduce the environmental impacts caused during the manufacture, use and disposal at 'end-of-life' of a very wide range of energy using products. The directive does this by setting minimum requirements

for certain energy consuming products, including heating appliances.

This notice is intended to provide end-of-life information to assist in the correct disposal and recycling of Warmflow High Efficiency Kerosene-Fired Heating Appliances.

### End of Life Information

Warmflow High Efficiency Condensing Boilers must be disposed of according to local regulations by using a public or private waste collection service.

### Safety Risks

Prior to disassembly, the appliance should be electrically isolated and disconnected.

Any fluids within must be drained, and disposed of in-line with local regulations.

Care should be taken when handling the appliance due to weight, use appropriate PPE and lifting aids.

Glass fibre insulation – suitable PPE should be used for respiration protection, and to avoid skin or eye contact.

### Disassembly of the Product

The main materials of the components are:

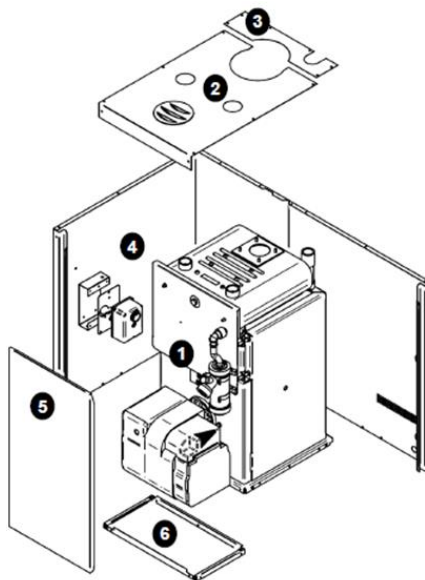
- Mild Steel
- Stainless Steel
- Copper
- Brass
- Ceramic Fibre
- Plastic components
- Electronic components

These may be recycled – depending on the local recycling facilities available.

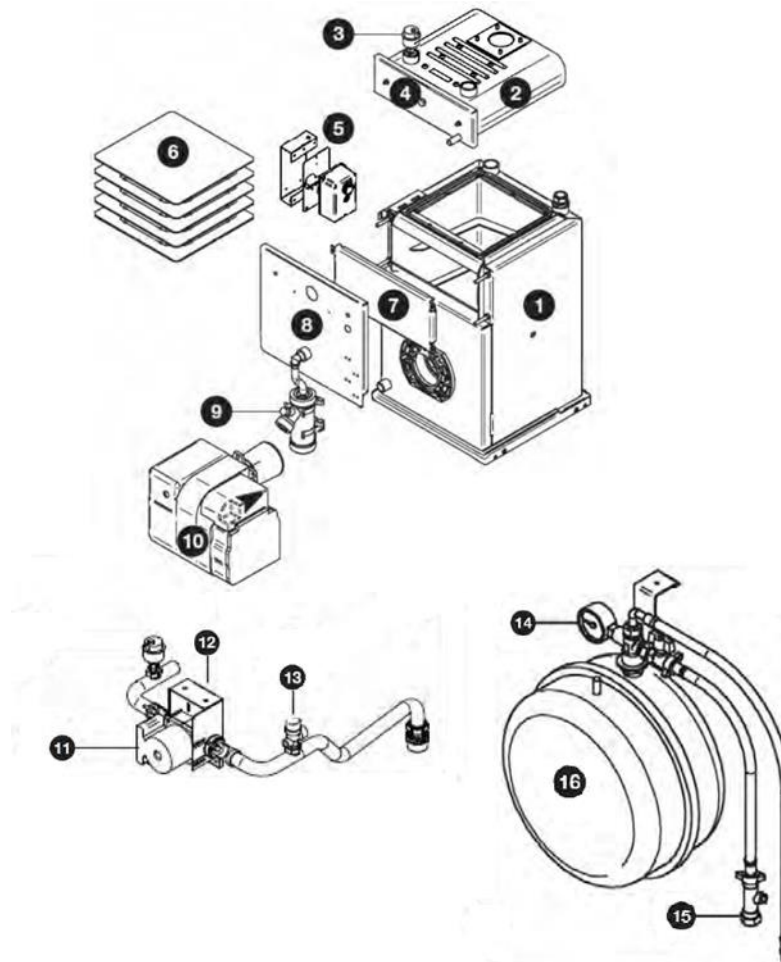
The appliance is assembled by using mechanical fasteners and can be disassembled with standard tools.

The components of a typical appliance including heat generator are shown below (not all components may be fitted, depending on appliance specification)

### Casing & Key Components



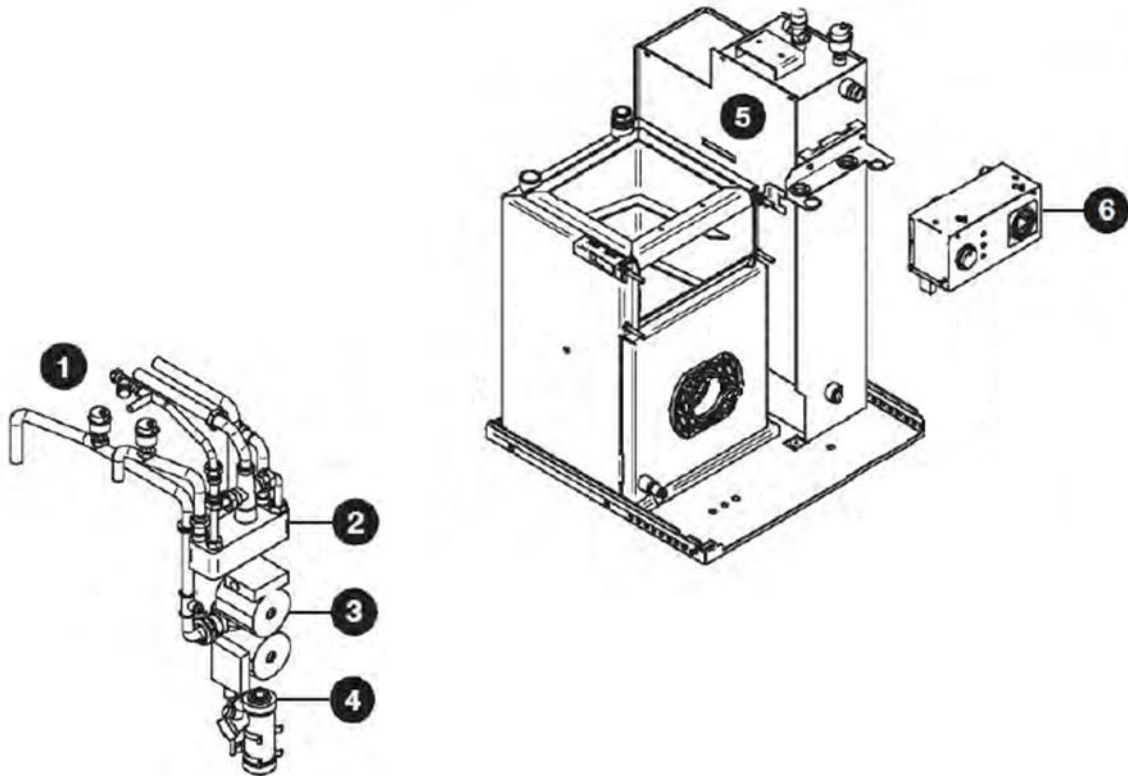
Item	Description	Main Materials	Special Notes
1	Boiler Assembly	Various	See Table 2
2	Top Front Casing	Galvanised Steel	
3	Top Rear Casing	Galvanised Steel	
4	Sides & Rear Casing	Galvanised Steel	
4	Insulation	Foil Backed Glass Fibre	Wear Appropriate PPE
5	Front Casing	Galvanised Steel	
6	Bottom Front casing	Galvanised Steel	

**Eco Design Appliance End-of-Life Information: Commission Regulation (EU) No. 813/2013**
**Boiler Assembly.**


Item	Description	Main Materials	Special Notes
1	Heat Exchanger	Mild Steel	Welded Construction
2	Condensing Unit	Stainless Steel & Viton Seal	
3	Auto Air Vent	Brass	
4	Service Door	Stainless Steel & Natural Rubber	
5	Thermostat	Plastic, Copper, Electronic Components	
6	Heat Exchanger Baffles	Mild Steel	
7	Service Door	Mild Steel, Ceramic Fibre	Wear Appropriate PPE
8	Service Door Cover	Galvanised Steel	
9	Condensate Trap	Plastic	
10	Heat Generator	Various	Consult Manufacturer
11	Circulating Pump	Various	Consult Manufacturer
12	Circulating Pump Bracket	Galvanised Steel	
13	Relief Valve	Brass	
14	Pressure Gauge	Brass & Glass	
15	Valves and Flexible Pipework	EPDM, Stainless Steel, Brass	
16	Pressure Vessel	Mild Steel, Rubber	Consult Manufacturer

**Eco Design Appliance End-of-Life Information: Commission Regulation (EU) No. 813/2013**

**Additional Information for Combi Appliances.**



Item	Description	Main Materials	Special Notes
1	Pipework Assembly	Copper and Brass	
2	Plate Heat Exchanger	Brass and Stainless Steel	
3	Circulating pumps	Various	Consult Manufacturer
4	Condensate Trap	Plastic	
5	Heat Store	Mild Steel	Welded Construction
6	Control Box	Mild Steel, Plastic, Copper, Electronic Components	

Various other brackets, fasteners and components may be used, with up to 5% of appliance weight

For more information visit [www.warmflow.co.uk](http://www.warmflow.co.uk)