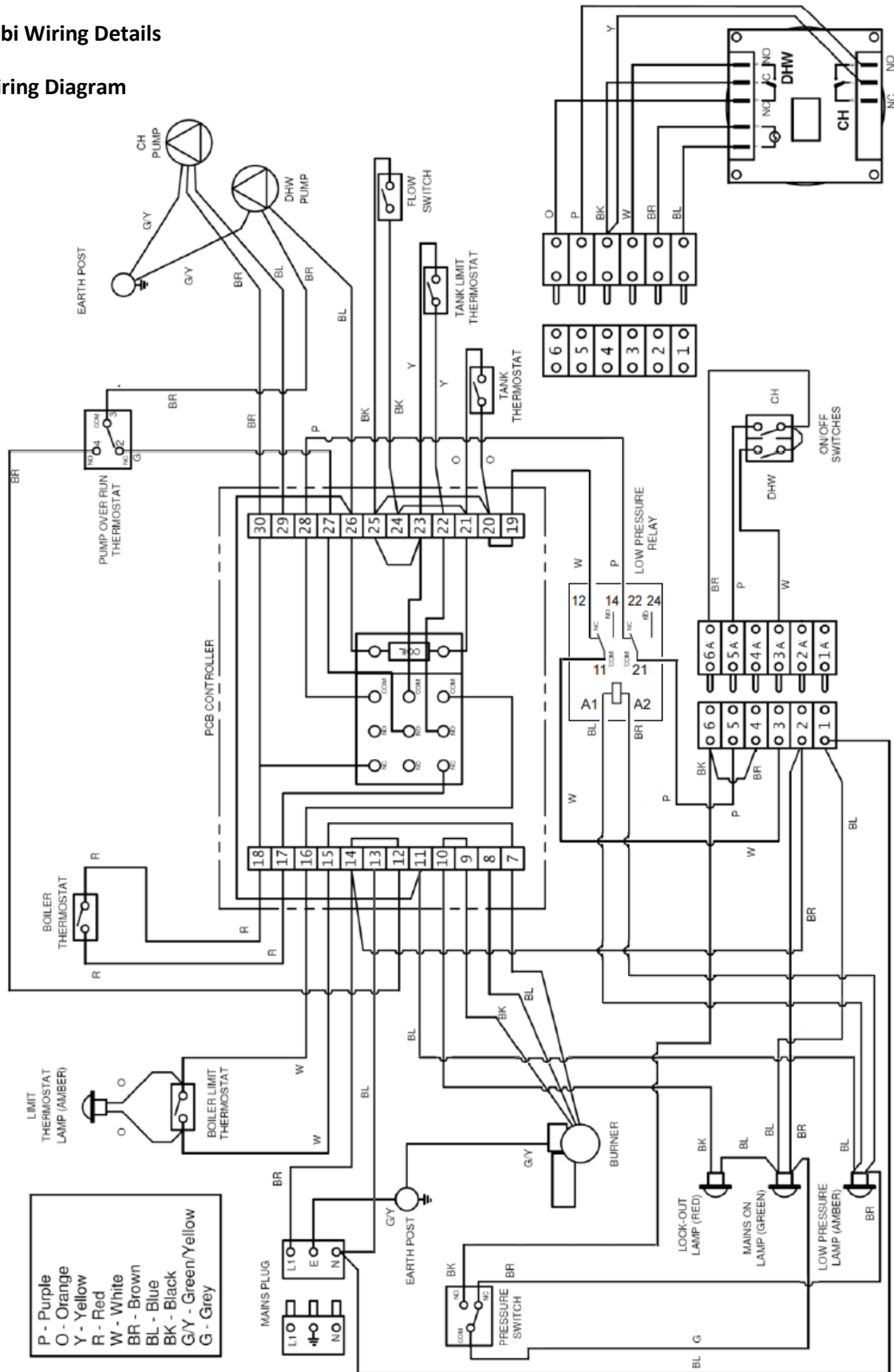


Combi EuP Pump Wiring Schematic Addendum

6.3 Combi Wiring Details

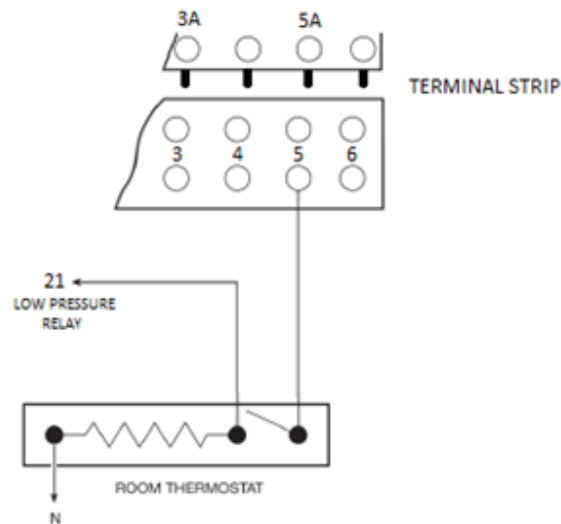
6.3.1 Wiring Diagram



The 3 pin mains plug must be supplied with a permanent live to allow the pump overrun stat and relay to operate.

All live supplies (permanent, thermostats and/or timeclocks etc.) connected to the appliance must be supplied by the same fused spur.

6.3.3 Fitting a Room Thermostat to a Combi



Remove the purple wire from terminal 5 on the terminal strip, and terminal 21 on the low pressure relay, then connect the thermostat as shown.

The room thermostat should be located where it is not subjected to extraneous heat gains, direct sunlight or draughts.

Connect any external Live Domestic Hot Water connections to terminal 3A on the terminal strip.

Connect any external Live Central Heating connections to terminal 5A on the terminal strip.

All live supplies (permanent, thermostats and/or timeclocks etc.) connected to the appliance must be supplied by the same fused spur.