



QUALITY DESIGN. BUILT-IN RELIABILITY.

**SANITARY**



[www.warmflow.co.uk](http://www.warmflow.co.uk)

The complete range of  
Warmflow sanitary ware

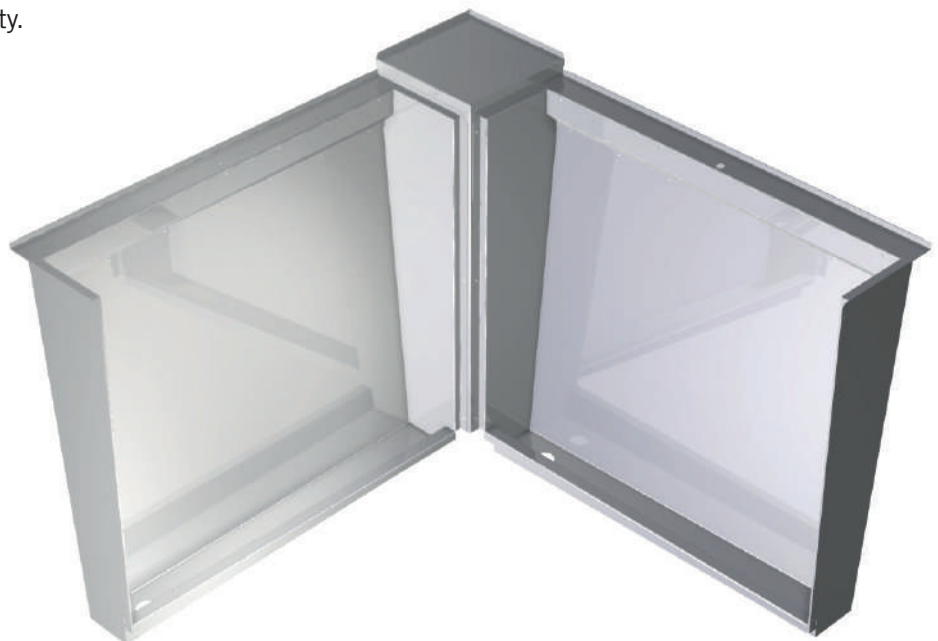
## Warmflow - the perfect choice

Warmflow has been established as a privately owned company since 1970. During this time we have developed into one of the UK and Ireland's leading manufacturers of domestic heating appliances gaining a reputation for high quality, value for money products.

In addition to the production of heating appliances, Warmflow operates a fabrication workshop, manufacturing sheet metal components. We have developed a successful range of stainless steel sanitary ware, maintaining Warmflow's reputation for both quality and value for money.

At the core of our success has been our commitment to quality:  
**'Quality manufacturing, sales support and back-up service.'**

Our sanitary range of products are manufactured at a high standard to ensure reliability and quality.



# Quality design with built-in reliability...

## Product Index

### Standard Range

**Standard Trough Urinal** .....Pg 4-5

### Premium Range

**Premium Urinal Range** .....Pg 6

**Premium Trough Urinal** .....Pg 7

**Premium Slab Urinal** .....Pg 8

**Premium Fresh Floor Urinal** .....Pg 9

### Complete Solutions

**Urinal Assembly Configurations** .....Pg 10

**Additional Sanitary Ware** .....Pg 11

### Complete Solutions

**Installation** .....Pg 11

**Maintenance** .....Pg 11

*... Warmflow sanitary*

# Standard Range

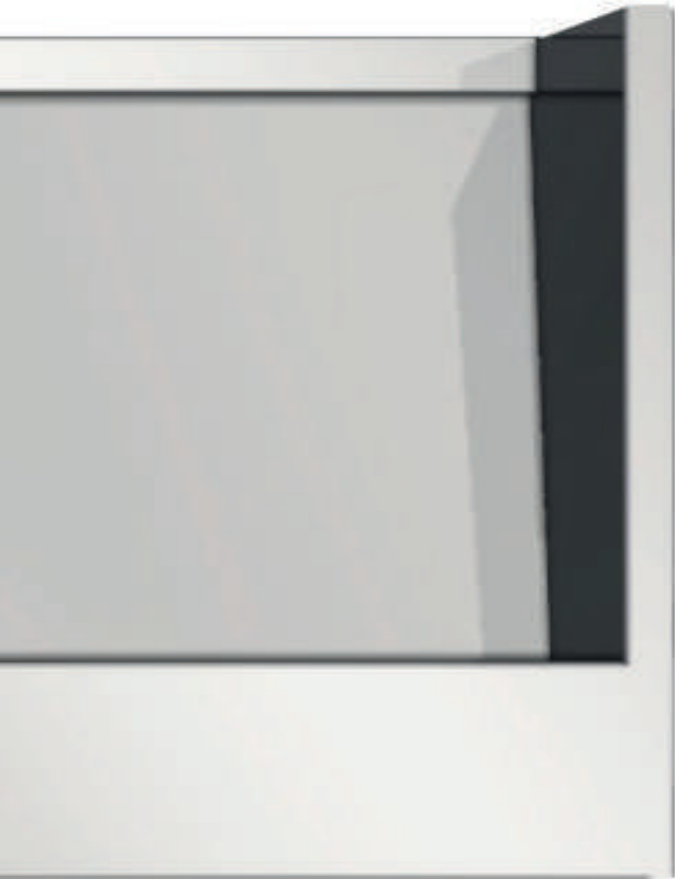
## Standard Trough Urinal

The “standard range” is competitively priced, easy to install and is available in a range of five standard lengths.

Warmflow’s ‘Standard range’ urinals are manufactured from grade 304 stainless steel. Standard trough urinals are wall hung and can easily be installed at either adult or junior heights.

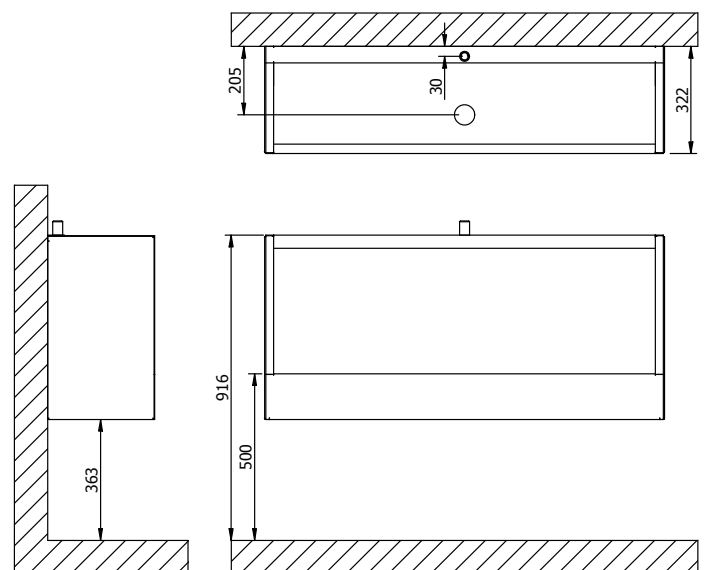
This urinal has a vandal resistant concealed sparge which provides an even and effective non splash flush. Standard urinals are supplied with ends which are suitable for both free standing and built in applications.

These competitively priced units have centrally positioned sparge connections and waste outlets. Each urinal is supplied with a 2” BSP domed grated waste fitting, cistern and 22mm flush downpipe.



### Configurations

- Ends suitable for free standing & built in
- Sparge connection and waste outlet positioned centrally
- Concealed sparge
- Complete with flush downpipe and cistern
- 2” BSP domed grated waste



## Installation

The Standard urinal is easy to install in all free standing or built in applications. The urinal comes complete with wall mounting brackets.

The urinal is hung on the wall brackets ensuring a level horizontal top surface is attained. Securing holes are also present underneath the trough located on the end's return fold.

## Urinal Sizes & Cistern Capacity

The standard urinal comes in five different lengths; **1200, 1500, 1800, 2100 & 2400mm.**

The urinal is supplied with a plastic or optional stainless steel automatic flushing cistern. The recommended mounting height is between 1800 - 2000mm from finished floor level to the underside of the cistern. The urinal also comes with a 22mm stainless steel downpipe with corresponding fittings and fixings.



Urinal Code	UTS12	UTS15	UTS18	UTS21	UTS24
Urinal Length	1200mm	1500mm	1800mm	2100mm	2400mm
Cistern Capacity	9 litres	13.5 litres	13.5 litres	13.5 litres	13.5 litres

## Benefits

- Quality product at a competitive price
- Ease of installation
- Robust and Vandal resistant
- Hygienic design and easy to maintain



## Premium Urinal Range

Warmflow's premium urinal range provides a complete bespoke urinal solution.

The premium urinal range is manufactured using 304 grade satin finish stainless steel.

The premium range urinals are manufactured with vandal resistant concealed sparge pipes as standard giving a non splash flush.

The sparge inlet can be positioned to the customer's specification along the length of the urinal exiting on the top, back or one of the urinal ends.



Urinals are supplied with built in ends as standard but are also available with free standing ends or a combination of both. Free standing ends are an optional extra at a minimal cost. One piece urinals can be supplied up to a maximum length of 3m; joined urinals available for lengths over 3m.



We also manufacture corner or filler ends for all varieties of urinals. Urinals are supplied with a 2" BSP chrome domed grate waste fitting, positioned at either end of the urinal depending on customer requirements.

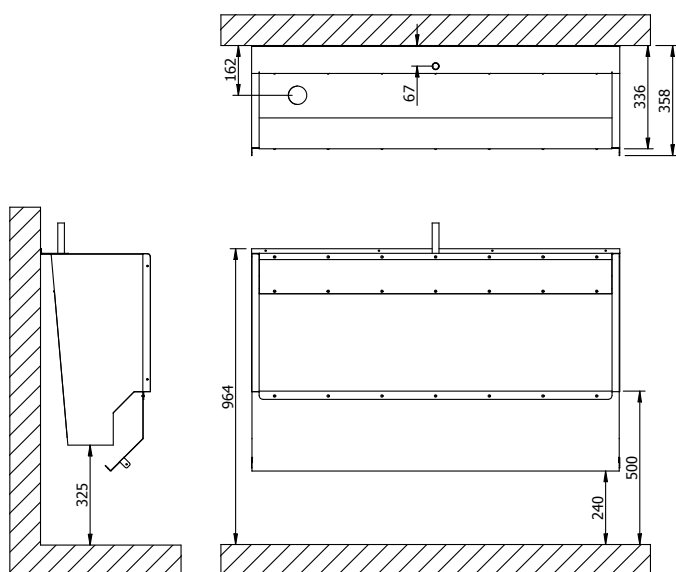
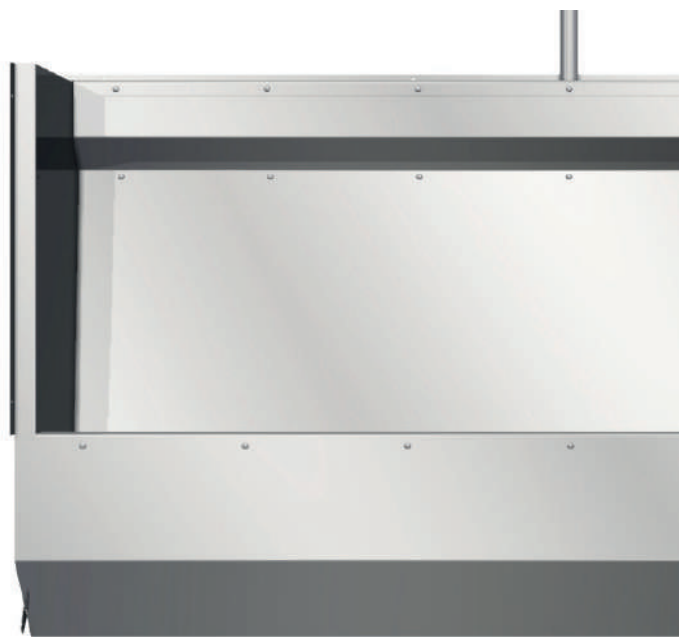


- Optimum Hygienic Solution
- Multi Optional sparge connections & waste location
- Optional Extended Ends
- Flexible Joining Configurations

# Premium Trough Urinal

Trough urinals are wall hung and can easily be installed at either adult or junior heights.

Trough to floor closure panels are available on request at extra cost. These panels are manufactured with a maintenance access hole positioned adjacent to the waste outlet of the urinal ends.



## Configurations

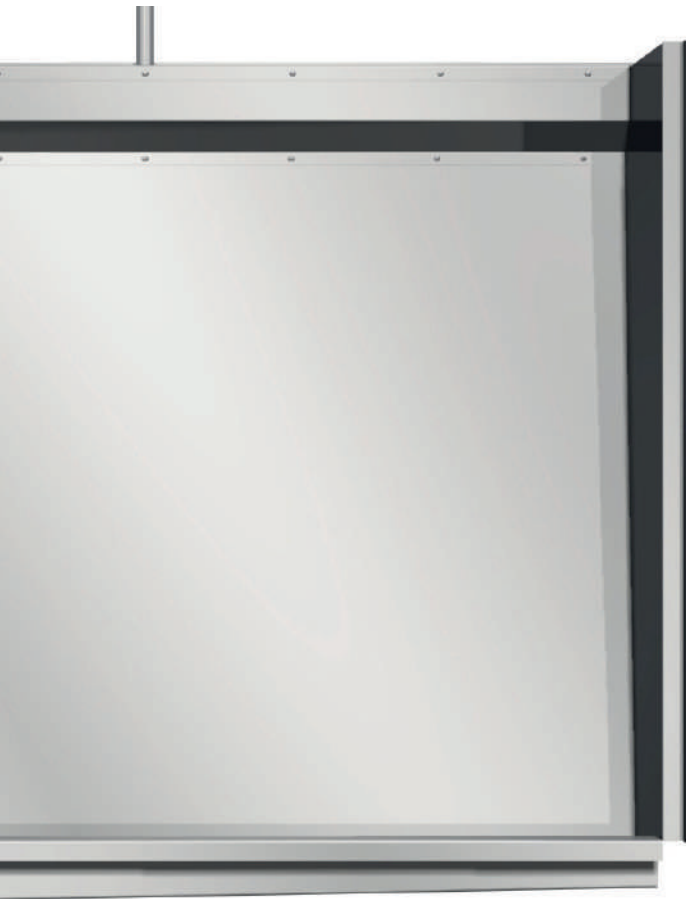
- Ends available as free standing or built in
- Sparge outlet positions: top, back & end
- Sparge position customisable
- Optional Closure Panel
- Waste outlet position: left, right

Warmflow premium range...  
the perfect solution.

## Premium Slab Urinal

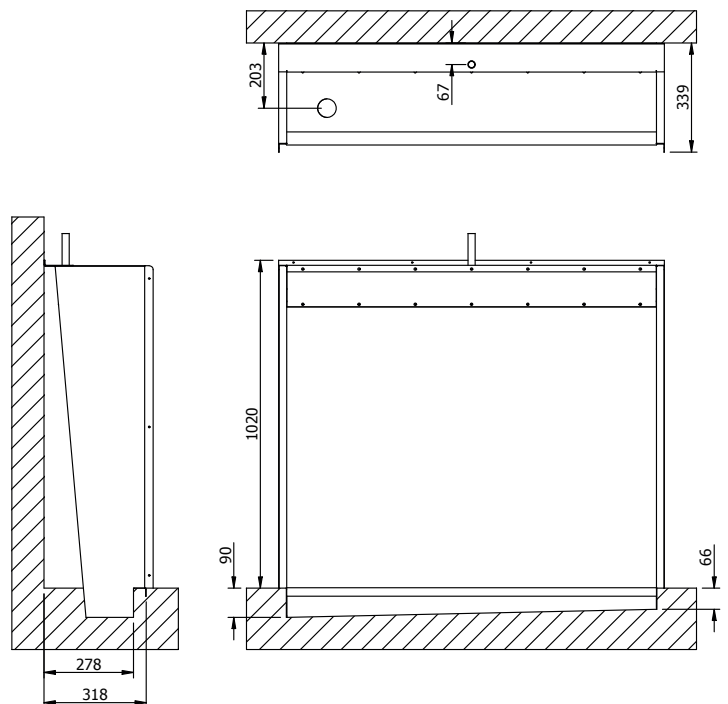
Slab urinals are installed either below floor level or built into a raised platform.

They come with built in ends as standard but free standing ends are available at an additional cost.



### Configurations

- Ends available as free standing or built in
- Sparge outlet positions: top, back & end
- Sparge position customisable
- Waste outlet position: left, right



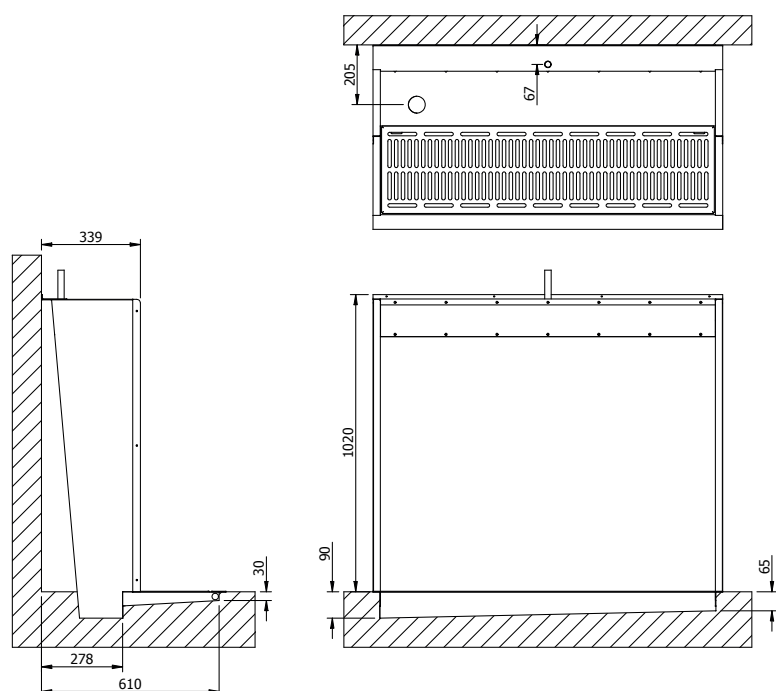


# Premium Fresh Floor

The optimum hygienic solution where cleanliness is critical.

The fresh floor urinal is manufactured with a second sparge outlet positioned under the grid platform. This second sparge allows for a flow of water to clean the surface of the urinal.

The grid platform can be installed at either floor level or raised to allow the urinal to be built into an elevated step.

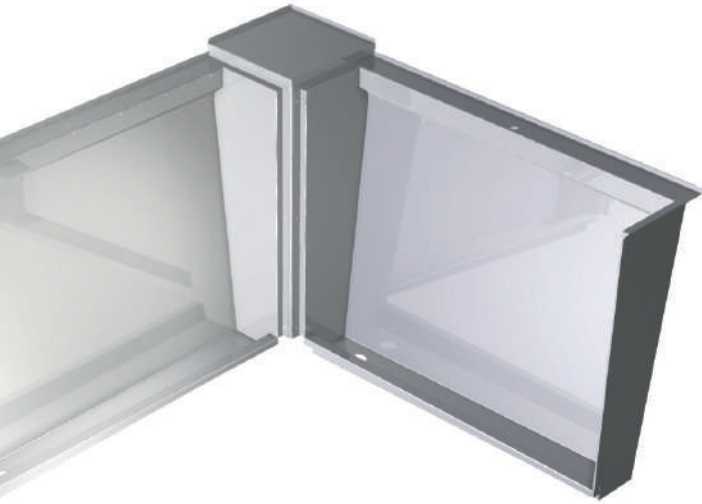


## Configurations

- Ends available as free standing or built in
- Sparge outlet positions: top, back & end
- Sparge position customisable
- Waste outlet position: left, right

# Complete Solutions

## Urinal Assembly Configurations



Premium urinals can also be manufactured in sections to accommodate restricted access. The urinals can be manufactured in straight, corner or u-shaped configurations.

Manageable individual sections along with their corresponding joining strips or corner plinths are supplied with appropriate fixings for assembly on site.



All of our items are manufactured to a high standard and come with a 1 year warranty.

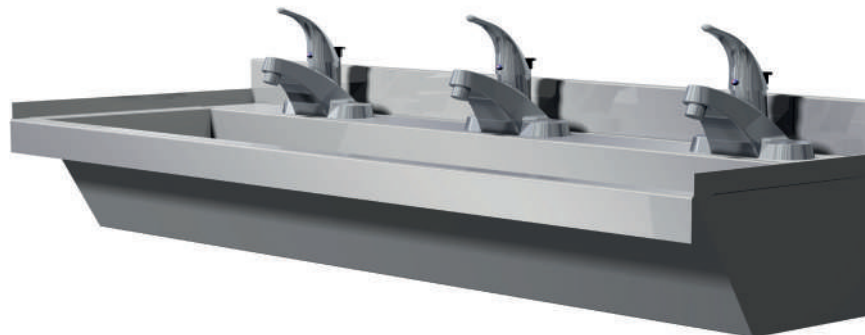
If you would like more information on any items from our sanitary range please get in touch and a member of our sales team will be delighted to help.

## Additional Sanitary Ware

Stainless steel hand wash troughs.

In addition to stainless steel urinals Warmflow manufacture a wide range of sanitary ware products suitable for many applications such as hand troughs, toilet cubicles, shower trays, etc.

Please contact us for more information.



## Installation

Urinals must be installed ensuring that the top edge is horizontal and the urinal ends are vertical. Warmflow urinals come with pre-drilled fixing holes for ease of installation. Warmflow Premium Urinals are supplied with a 2" BSP chrome dome grated waste and the sparge flushing system is supplied with a standard 22mm stainless steel pipe allowing for quick and effortless installation.

In order to conserve water supplies, one of the following three methods must be employed to prevent the flow of water to urinal cisterns during periods when the building is unoccupied:

1. A time operated switch controlling a solenoid valve which cuts off the water supply to the urinal flushing cistern(s).
2. An 'impulse' initiated automatic system which only permits water to pass to a urinal cistern when other appliances are used (i.e. when tap is switched on).
3. A proximity or sensor control device is installed.

Manually operated flushing systems must only be used to supply single user urinals. Urinals must have a flushing system that is capable of delivering 1.5 litres per user position every time the flushing device is operated.

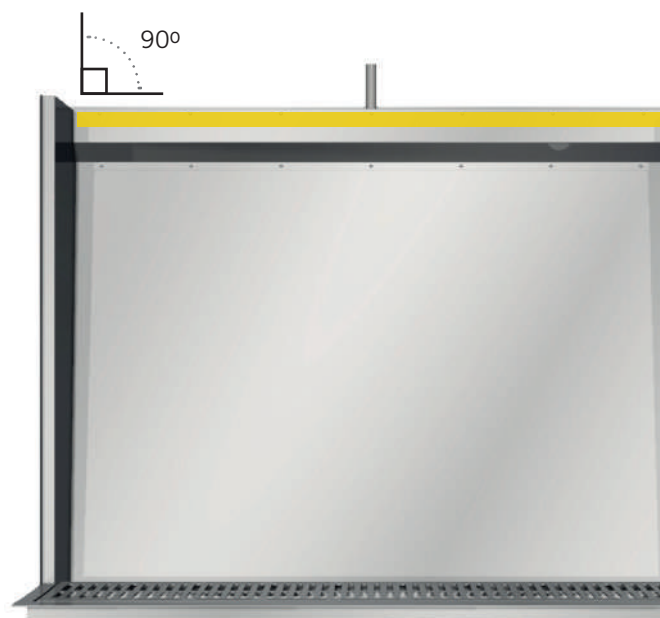
For more information please consult Local Water Supply Regulations.

## Maintenance & Cleaning

In order to preserve the life of the stainless steel and maximise the resistance to corrosion the surface must be cleaned thoroughly on a regular basis. Particular attention must be made to non-flush surfaces of the urinal.

Warmflow recommends that urinals are cleaned along the grain of the stainless steel surface using warm water and a mild detergent with a sponge or soft cloth and must be thoroughly rinsed after washing.

**Note:** Chlorine based cleaning agents and abrasive materials must not be used.



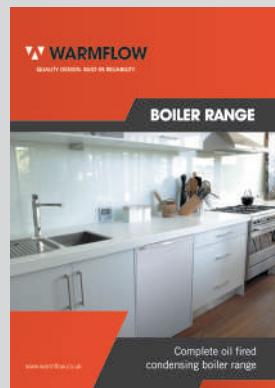
Warmflow Engineering Co Ltd manufactures a range of products including heating and ventilation, renewable energy, washroom products and gun cabinets, as well as precision sheet metalwork and bespoke fabrication in a variety of materials. All of our product brochures can be viewed or downloaded at [www.warmflow.co.uk](http://www.warmflow.co.uk) and are also available in hardcopy upon request.



## Warmflow Renewables

- Wood Pellet Boilers
- Ground Source
- Solar Solutions

(brochure 3549)



## Warmflow Boilers

- Oil-fired boilers
- Flue systems

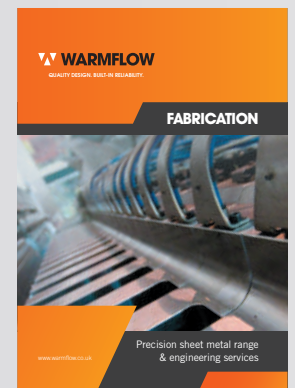
(brochure 3509)



## Warmflow Cylinders

- Indirect unvented
- Twin & Triple Coil unvented
- Direct & Eco Direct unvented

(brochure 3678)



## Warmflow Fabrication

- General fabrication
- Subcontract manufacture
- Warm air heaters and ducting
- Gun cabinets

(brochure 3576)

## Contact

### Head Office (NI)

Warmflow  
Lissue Industrial Estate  
Moirra Road  
Lisburn  
BT28 2RF

T. 028 9262 1515  
F. 028 9262 0869  
E. [sales@warmflow.co.uk](mailto:sales@warmflow.co.uk)

### ROI

T. 048 9262 1515  
F. 048 9262 0869  
E. [sales@warmflow.co.uk](mailto:sales@warmflow.co.uk)

### GB

T. 01952 607750  
F. 01952 603983  
E. [salesgb@warmflow.co.uk](mailto:salesgb@warmflow.co.uk)

Warmflow Engineering Company Limited maintains a policy of continuous product improvement and reserves the right to change specification without notice. The statutory rights of the consumer are not affected. This brochure should only be used for sales purposes. Please consult the installation instructions, available on request, before installing or specifying a Warmflow product.