

Warmflow Wood Pellet Boiler Ecodesign End-of-Life Information

Commission Regulation (EU) No 813/2013

End-of-Life Information

Warmflow Wood Pellet Boilers must be disposed of according to local regulations by using a public or private waste collection service.

Safety Risks

Prior to disassembly, the appliance should be electrically isolated and disconnected.

Any fluids within the appliance must be drained, and disposed of in-line with local regulations.

Care should be taken when handling the appliance due to weight, use appropriate PPE and lifting aids.

Disassembly of the Product

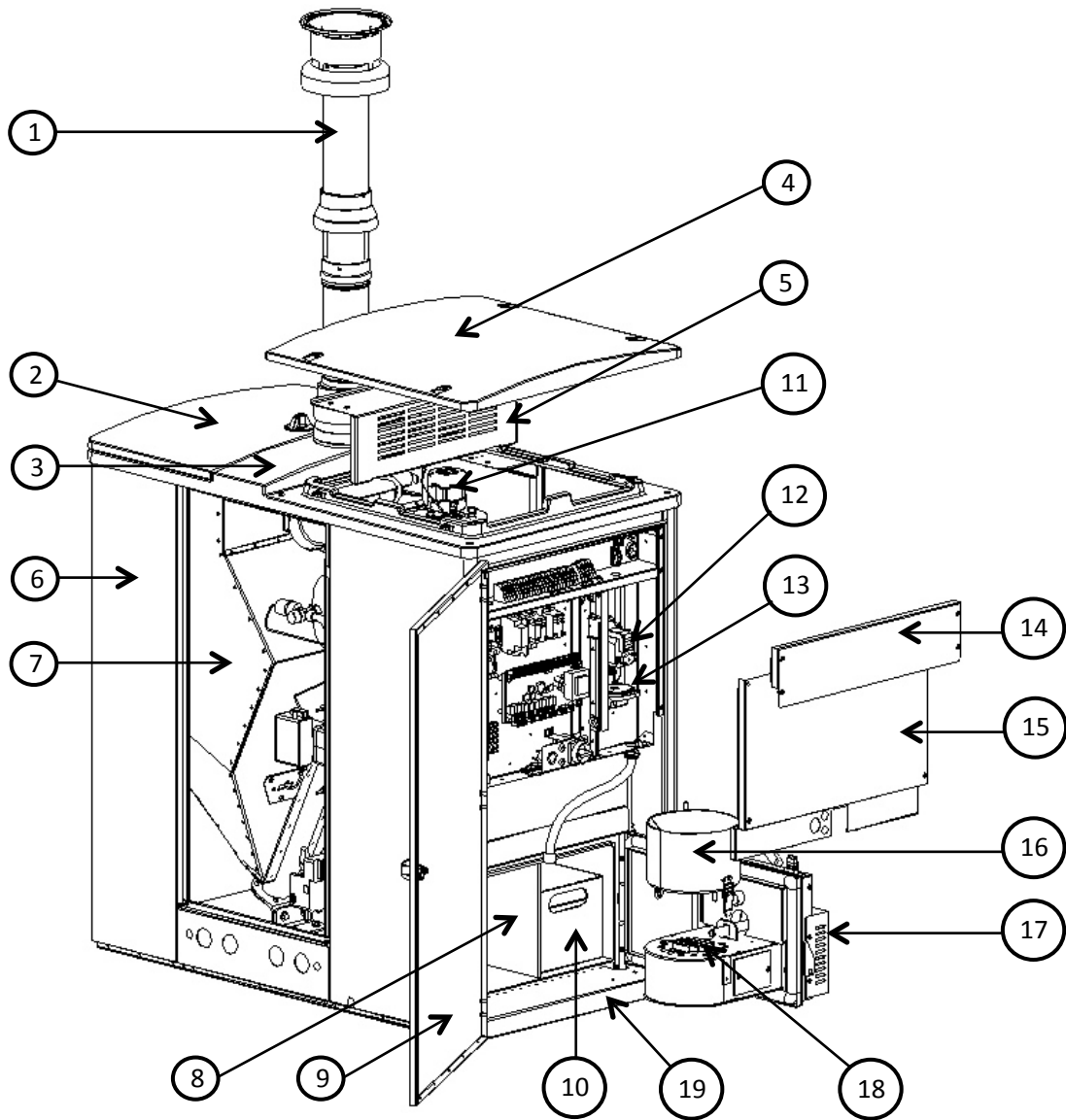
The main materials of the components are:

- Mild Steel
- Stainless Steel
- Aluminium
- Copper
- Brass
- Ceramic
- Glass
- Plastic Components
- Electronic Components

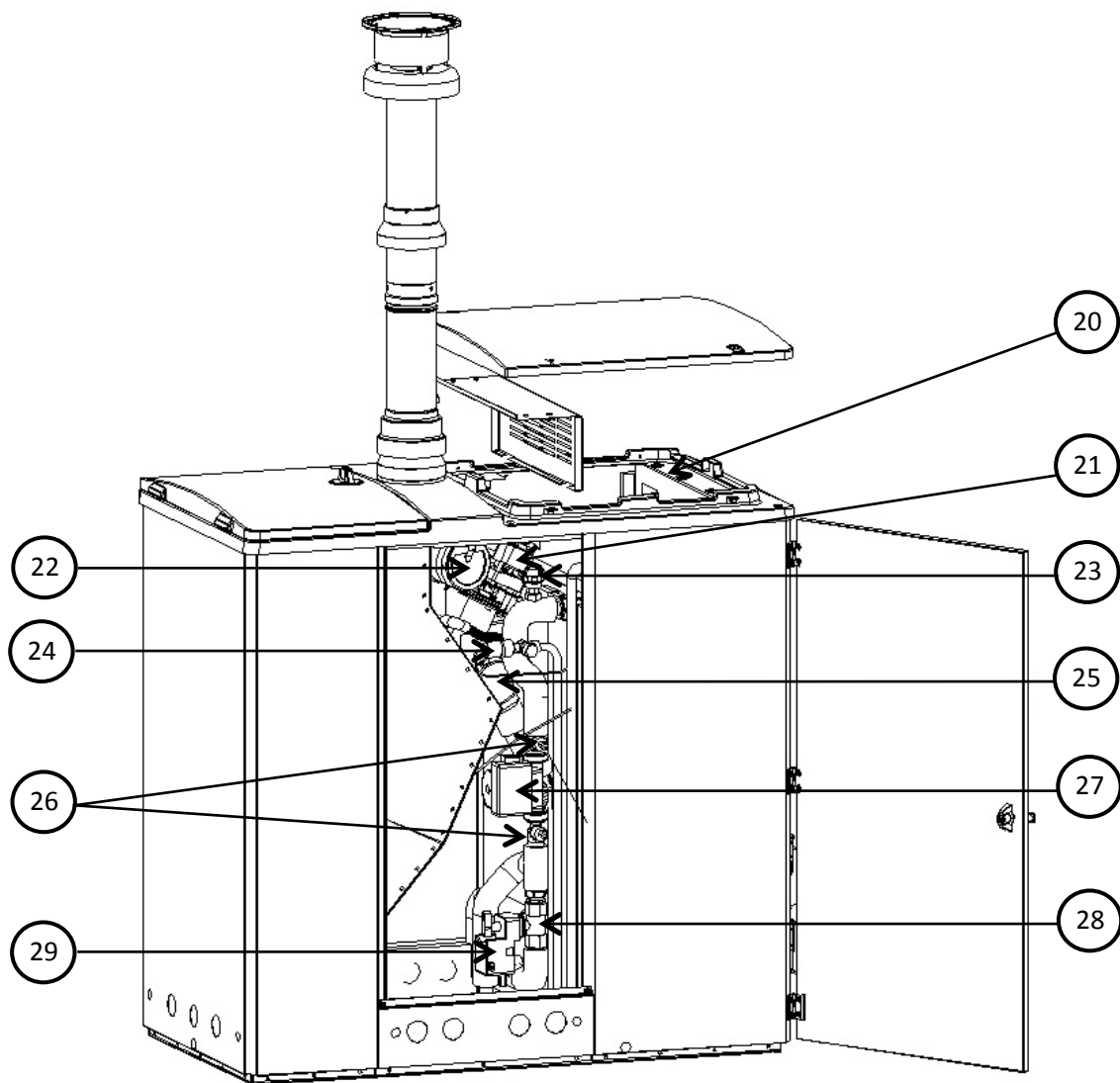
These may be recycled – depending on the local recycling facilities available.

The appliance is assembled by using mechanical fasteners and can be disassembled with standard tools.

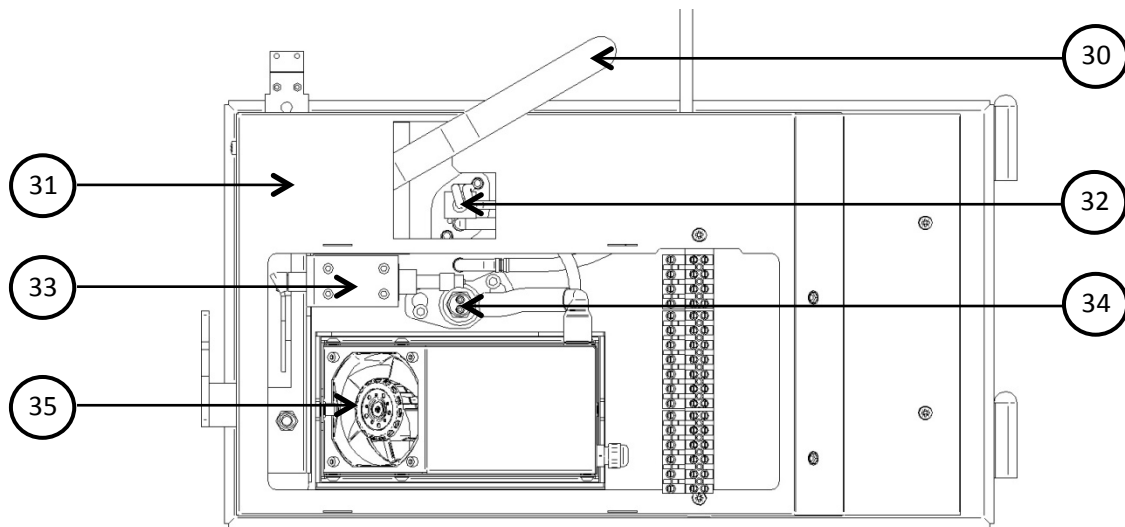
The components of a typical appliance are shown below



Item	Description	Main Materials	Special Notes
1	Flue	Aluminium, Mild Steel	
2	Hopper Door	ABS Plastic	
3	Moulded Top - Frame	ABS Plastic	
4	Service Lid	ABS Plastic	
5	Safety Guard	Zinc coated mild steel	
6	Casing	Plastisol coated mild steel	
7	Hopper	Zinc coated mild steel	
8	Heat Exchanger	Mild Steel	
9	Front Door	Plastisol coated mild steel	
10	Ash Pan	Zinc coated mild steel	
11	Exhaust Fan	Steel, copper	Consult component manufacturer
12	Top Cleaning Motor	Steel, aluminium	Consult component manufacturer
13	Differential Pressure Sensor	Plastic, glass	Consult component manufacturer
14	Wiring Panel Covers	Plastisol coated mild steel	
15		Plastisol coated mild steel	
16	Combustion Pot	Stainless steel	
17	Combustion Door	Zinc coated mild steel	
18	Grate Cleaning Knives	Stainless steel	
19	Base Tray	Zinc coated mild steel	



Item	Description	Main Materials	Special Notes
20	Top Casing Tray	Zinc coated mild steel	
21	Auger Motor	Steel, aluminium	Consult component manufacturer
22	Flue Draught Stabiliser	Stainless steel	
23	Automatic Air Vent	Brass, Plastic	Consult component manufacturer
24	Pressure Relief Valve	Brass, Plastic	Consult component manufacturer
25	Drop Chute Flexible Hose	Flexible PVC	Consult component manufacturer
26	Isolator Valves	Brass	Consult component manufacturer
27	Circulating Pump	Steel, Stainless steel, Plastic	Consult component manufacturer
28	Anti-Condensation Valve	Brass	Consult component manufacturer
29	Anti-Condensation Valve Actuator	Mild steel, plastic	Consult component manufacturer



Item	Description	Main Materials	Special Notes
30	Combustion Door Handle	Mild Steel	
31	Combustion Door Guard	Mild Steel	
32	Photocell	Steel, Plastic	Consult component manufacturer
33	Combustion Door Interlock	Steel, Copper	Consult component manufacturer
34	Igniter	Ceramic, brass	Consult component manufacturer
35	Intake Fan	Plastic, copper, steel	Consult component manufacturer
Others	Electronic devices	Plastic, electronic components	Consult component manufacturer
	Hoses and conduit	Polyurethane, plastic	
	Water circuit pipework	Copper	

Various other brackets, fasteners and components may be used, with up to 5% of appliance weight